

BOSS[®]
AUDIO SYSTEMS

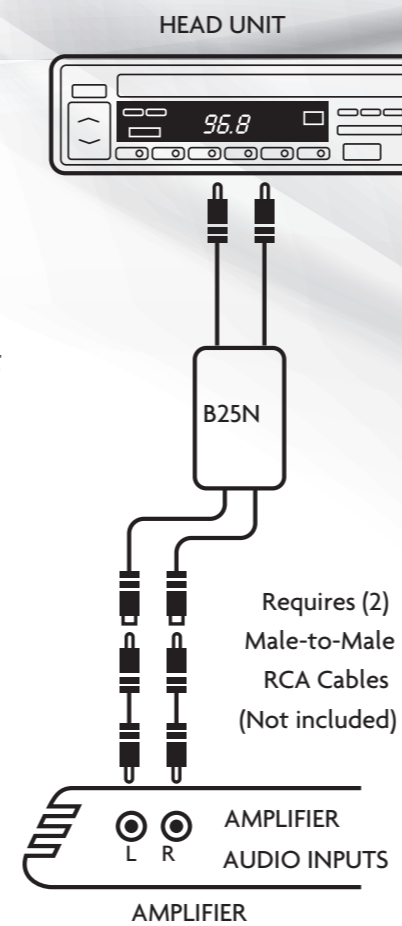


B25N GROUND LOOP ISOLATOR

ELIMINATES NOISE, HUM AND ALTERNATOR WHINE

B25N GROUND LOOP ISOLATOR

helps eliminate noise caused by ground loops which occur in systems with two or more audio components connected to different ground locations.



BOSS[®]
AUDIO SYSTEMS

GROUND LOOP ISOLATOR MODEL NO. B25N

